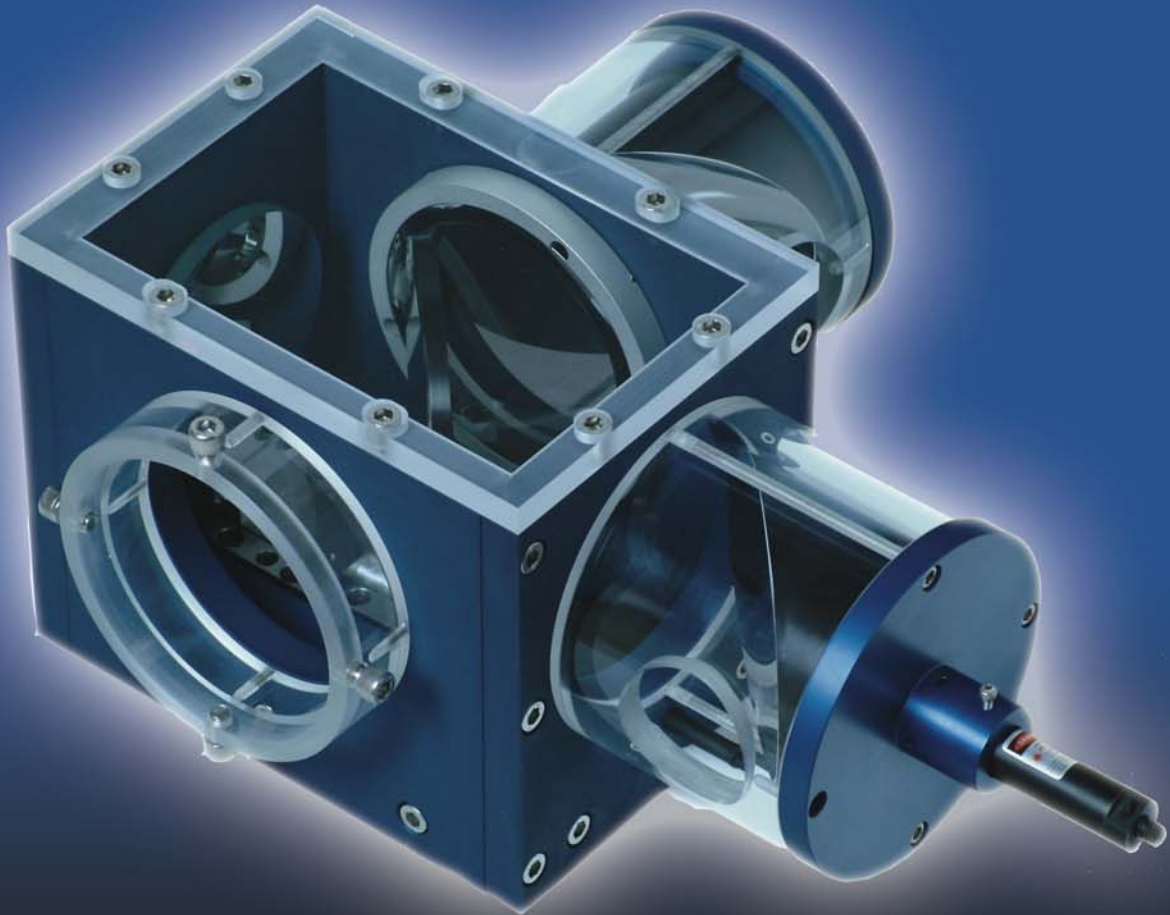


RADIABEAM TECHNOLOGIES

Announces

The Bunch Length Interferometer System

BLIS



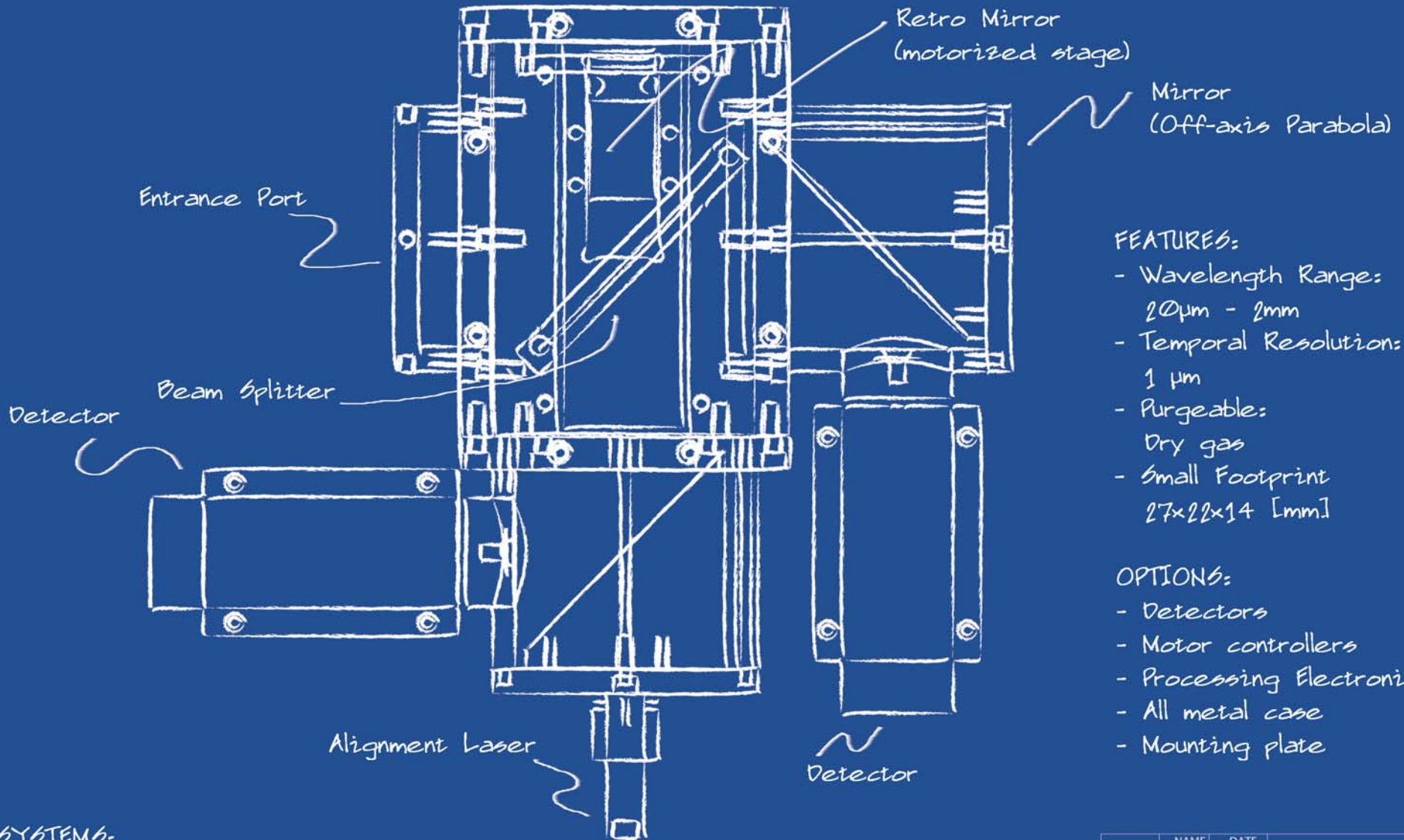
Licensed from



The University of Georgia

BUNCH LENGTH INTERFEROMETER SYSTEM

REVISION HISTORY			
REV	DESCRIPTION	DATE	APPROVED



FEATURES:

- Wavelength Range: 20 μ m - 2mm
- Temporal Resolution: 1 μ m
- Purgeable: Dry gas
- Small Footprint 27x22x14 [mm]

OPTIONS:

- Detectors
- Motor controllers
- Processing Electronics
- All metal case
- Mounting plate

SYSTEMS:

- * BLIS: interferometer and alignment laser
- * Complete BLIS: includes detectors, processing electronics, motor controller, laptop and software
- * Total BLIS: Lease a complete BLIS system (1Q05)

	NAME	DATE		
DRAWN	Salime	08/16/04		
CHECKED			TITLE	
ENG APPR				
MGR APPR				
UNLESS OTHERWISE SPECIFIED, DIMENSIONS ARE IN MILLIMETERS			SIZE DWG NO	REV
ANGLES \pm X.X $^\circ$			FILE NAME: box assembly.dft	
2 PL \pm X.XX 3 PL \pm X.XXX			SCALE:	WEIGHT:
			SHEET 1 OF 1	