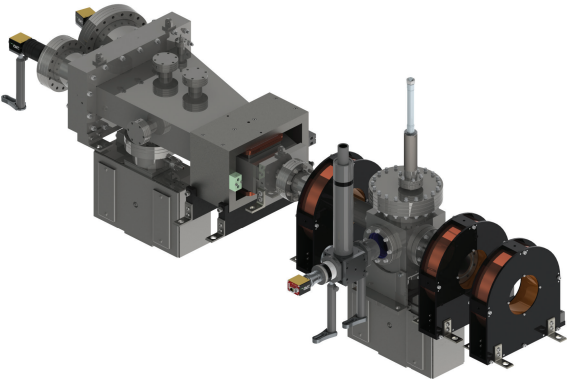


Front End Test Stand



CAN INCLUDE:

- Pepper pot stations
- Profile Monitors
- Current Monitors
- Spectrometers
- Wall Current Monitors
- Beam Position Monitors
- Focusing Solenoids
- Halo Scrapers
- Vacuum System
- Precision Tables
- Power supplies
- ...and more

Front End Test Stands are built to confirm the expected parameters of a low-energy injector. We offer systems built to your specifications, or let us design around your injector parameters. With our wide offering of magnetics and diagnostics, we can build a cost-effective test stand in little time.

Like all of our diagnostic systems, the Front End Test Stands are hydrocarbon free and operate in the UHV regime. We produce all of our magnets in-house to ensure quality and superior service.

FEATURES

- Customized to confirm expected injector parameters
- Measures emittance, energy spread, profile, and current
- Full transport simulation
- “Drop in” solution



radiabeam
TECHNOLOGIES

www.radiabeam.com

info@radiabeam.com

v: +1 310 822 5845 | f: +1 310 582 1212

Other options are available upon request. Please contact us or visit our website for purchasing information.